

WWII

THE NATIONAL
WWII MUSEUM

TRAVEL

PARIS TO POINTE DU HOC

A Voyage along the Seine to the Beaches of Normandy



**October 26 –
November 3, 2025**

D-DAY BEACHES

UTAH OMAHA GOLD JUNO
SWORD

Paris • Arromanches • Normandy Beaches
Rouen • Dieppe • Les Andelys
La Roche-Guyon • Versailles

Seine River



Paris

Featuring World-Renowned Authors and Historians
**John C. McManus, PhD &
James Holland**

SAVE \$2,000 per couple when
booked by December 31, 2024!



STEPHEN J. WATSON

Featuring an exclusive lecture series and comprehensive touring, this unique educational program combines learning and sightseeing with a whole new level of luxury.

Dear Friend of The National WWII Museum,

We have long honored our mission preserve the history of World War II through exhibitions, educational programs, and battlefield tours. It is with great excitement that I invite you join the Museum's Travel Team for a unique custom itinerary cruising the Seine River into the heart of Normandy, delving into the stories of D-Day and the Battle of Normandy along the French coast, and exploring the rich culture of the Normandy countryside.

Aboard Uniworld's SS *Joie de Vivre*, you will be joined by renowned historians and authors John McManus, PhD, and James Holland, both experts on World War II. Throughout the journey, these special guests will bring interesting historical insight to the places you will visit through a custom lecture series. Accompanied by local battlefield guides and with access to the digital archives of The National WWII Museum, this is truly the best, most educational, and luxurious way to dive deeper into your study of the rich cultural and military history of the region of Normandy. Guests may also choose to relive the joys of the long-awaited liberation of the "City of Light" during an optional three-night pre-cruise program in Paris.

Even if you have visited France before, I encourage you to join us on this poignant, unforgettable journey. This exclusive charter and chateau buyout provides a backdrop that unites curious lifelong learners seeking rich educational experiences. The rich itinerary creates a fulfilling and engaging atmosphere during the entire journey.

We are honored to share and remember the stories of the heroes to whom we owe so much.

Sincerely,

Stephen J. Watson
President & CEO, The National WWII Museum

“

"This was an amazing trip. We have traveled around the world, but this trip was more meaningful than any we have taken because of the history of the places we visited. What happened in Normandy and the rest of France had an enormous impact on us as Americans. Our lives would have been very different had the Normandy invasion failed. We can't wait to visit the Museum and share what we learned on our trip with our children and grandchildren."

- Sharon A., La Jolla, CA

"This trip was truly the finest we have been on from start to finish. Every aspect showed attention to detail, comfort, learning, and enjoyment. We have already recommended this to friends. Thank you so very much for such a wonderful and meaningful voyage."

- Carolyn B., Louisville, KY

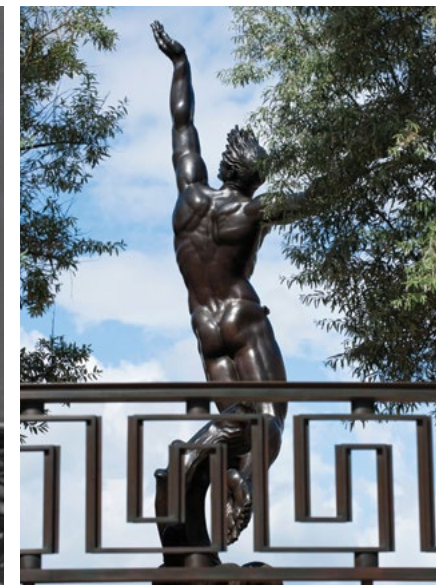


PHOTO (TOP): TOUR GUESTS AT CHATEAU GAILLARD, NEAR LES ANDELYS; (MIDDLE LEFT): SS JOIE DE VIVRE DOCKED ON THE SEINE; PHOTO (MIDDLE RIGHT): THE SPIRIT OF AMERICAN YOUTH STATUE BY DONALD DE LUC AT NORMANDY AMERICAN CEMETERY; PHOTO (BOTTOM): TOUR GUESTS DINING ABOARD SS JOIE DE VIVRE

THE NATIONAL WWII MUSEUM

EDUCATIONAL TRAVEL PROGRAM

5 MUSEUM QUICK FACTS

9 million+

visitors since the Museum opened on June 6, 2000

\$2 billion+

in economic impact

150,000+

active Museum members

8,000+

travelers, representing every US state

625,000+

social media followers



TRAVEL TO **27** COUNTRIES

COVERING ALL THEATERS

OF WORLD WAR II



30

TOUR PROGRAMS

operated on average per year, AT TIMES ACCOMPANIED BY WWII VETERANS



VISIT **16**

OVERSEAS AMERICAN BATTLE MONUMENTS COMMISSION CEMETERIES & MEMORIALS PLUS

& 189

MUSEUMS ON OUR ITINERARIES

TRAVEL WITH EXPERTS

26

top historians with

174

published books and

47

documentary credits



FEATURED HISTORIANS



AUTHOR AND HISTORIAN JAMES HOLLAND

James Holland is an internationally acclaimed and award-winning historian, writer, and broadcaster. The author of a number of best-selling histories, he has also presented—and written—a number of television programs and series. He hosts a weekly World War II podcast, *We Have Ways of Making You Talk*, with Al Murray, and is a research fellow at St Andrew's University and a Fellow of the Royal Historical Society. Holland is also the co-founder and Creative Director of the annual Chalke History Festival in the United Kingdom. He can be found on X as @James1940 and on Instagram as @jamesholland1940.

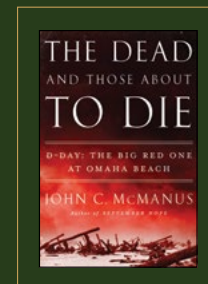


PODCAST: WE HAVE WAYS OF MAKING YOU TALK



AUTHOR AND HISTORIAN JOHN C. MCMANUS, PHD

John C. McManus, PhD, is Curators' Distinguished Professor of US Military History at Missouri University of Science and Technology, and one of the world's leading historians of World War II. He has written 12 books, most of which cover some aspect of the American combat experience in World War II, including *The Americans at D-Day*; *The Americans at Normandy*; *September Hope: The American Side of a Bridge Too Far*; *Alamo in the Ardennes*; and *The Dead and Those About to Die: D-Day: The Big Red One at Omaha Beach*. McManus has made hundreds of appearances as an expert commentator for radio and television outlets as well as in numerous major documentaries for PBS, the History Channel, Netflix, the Smithsonian Network, Discovery Channel, National Geographic, and others.



"There are two kinds of people who are staying on this beach, those who are dead and those who are going to die. Now let's get the hell out of here."

— Colonel George A. Taylor on June 6, 1944, 16th Infantry Regiment 1st Infantry Division

PARIS TO POINTE DU HOC: A VOYAGE ALONG THE SEINE TO THE BEACHES OF NORMANDY

Featuring expert historians John C. McManus, PhD, and James Holland

OCTOBER 26 – NOVEMBER 3, 2025

Your journey in Normandy and on the Seine River features renowned historians and expert local guides with unparalleled knowledge of WWII locations—from lesser-known sites available exclusively to The National WWII Museum’s travel programs to iconic landmarks steeped in heroism and history. Visit the famous church in Sainte-Mère-Église, stand on Omaha Beach to view the intricate German defense system, and ponder the overwhelming odds the American soldiers faced on June 6, 1944. Cross Pegasus Bridge, where the men of the British 6th Airborne Division won the first battle of D-Day just minutes after midnight. Along the way, appreciate the beauty, culture, and history of a region that has played a critical role throughout world history.



DAY ONE

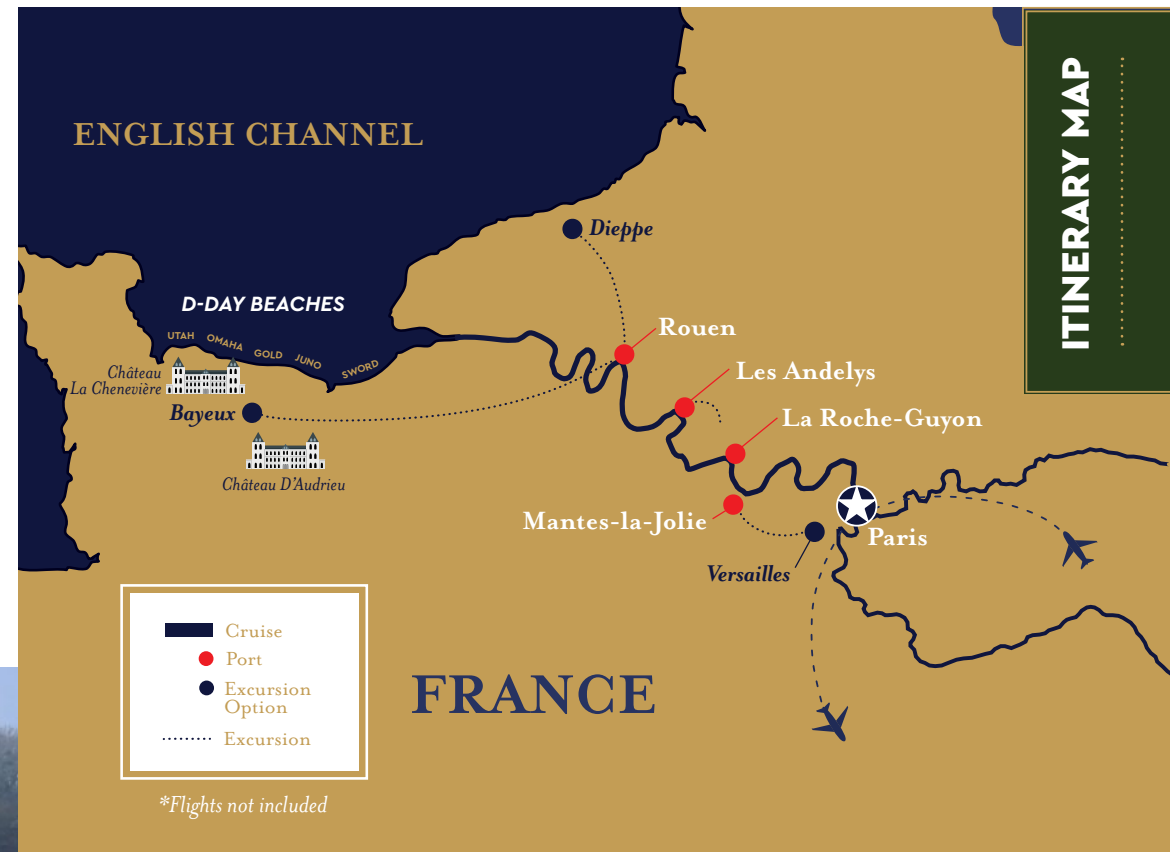
DEPART THE US / PARIS ARRIVAL / TRANSFER TO THE SS JOIE DE VIVRE

Depart the US and arrive at Paris Charles de Gaulle Airport (CDG). Guests are warmly welcomed and transferred to SS *Joie de Vivre*. Early arrivals may choose to enjoy the morning exploring Paris independently after dropping luggage at the ship or may board the vessel and enjoy the ship’s public areas* before settling into a luxurious stateroom or suite this afternoon. This evening, bid farewell to the “City of Light” during a welcome reception and dinner on the Seine River.

Accommodations: SS *Joie de Vivre* (R, D)*

**Light lunch available on SS Joie de Vivre from 12:00 p.m. – 2:00 p.m. for those arriving in the morning.*

PHOTO: SS JOIE DE VIVRE



ITINERARY MAP

PROGRAM INCLUSIONS

- :: Full-time featured historians John C. McManus, PhD, and James Holland
- :: Full-time expert local guides
- :: Full-time Museum logistical tour managers
- :: Four-nights accommodation aboard the 5-star SS *Joie de Vivre*
- :: Four-nights accommodation in Normandy at the hand-selected 5-star château
- :: Most meals, including: (8) breakfasts, (4) lunches, (8) dinners, (8) receptions
- :: House wines, beer, and spirits with included lunches and dinners during land program
- :: House wines, beer, and spirits throughout the cruise while aboard the SS *Joie de Vivre*
- :: All gratuities to drivers, guides, and shipboard staff
- :: Entrance fees to all sites, museums, and attractions
- :: Private first-class, air-conditioned motorcoach transportation
- :: Personal listening devices for touring
- :: Roundtrip airport transfers (when arriving and departing on scheduled group tour dates)
- :: Informative map book to be used throughout your journey
- :: Personalized luggage tags and name badge

IN REMEMBRANCE

THROUGH *Their Eyes*

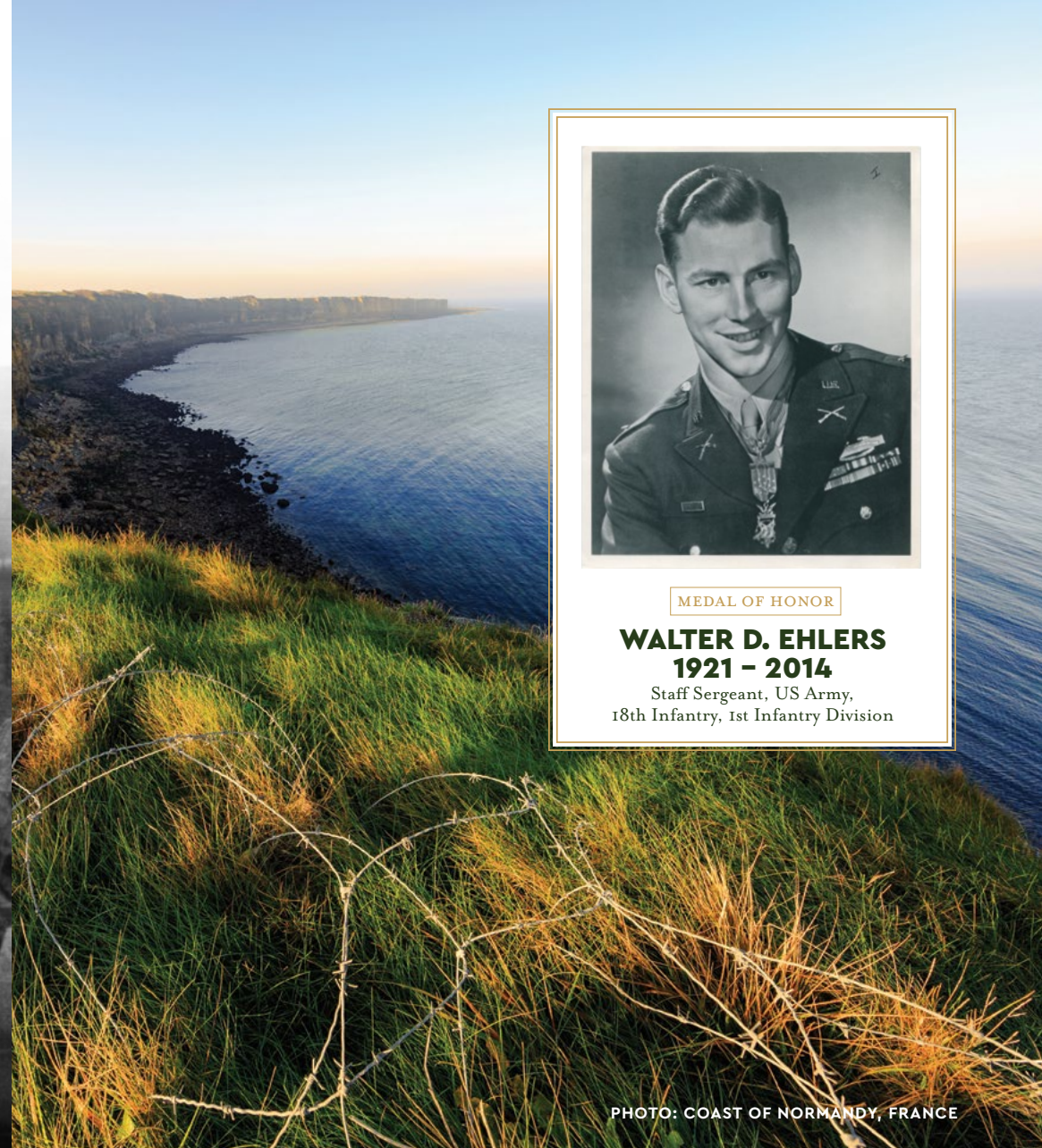
REMEMBERING THE BATTLE OF NORMANDY



WALT EHLERS: A HISTORY OF SERVICE

In 1940, Walter “Walt” Ehlers of Kansas wanted to join his brother Roland in the US Army but needed his mother’s permission to enlist since he was not yet of age. Serving in the same unit, the 3rd Infantry Division, the two brothers first saw combat in North Africa, landing near Casablanca during Operation Torch, then at the famous battle of El Guettar, where the Americans were able to defeat the more experienced German forces.

They were transferred to the 1st Infantry Division together and participated in the invasion of and battle for Sicily. The Ehlers brothers then shipped to England in preparation to spearhead the Normandy invasion with the 1st Infantry Division. In anticipation of high casualties, their commander placed the brothers in different companies, to avoid both brothers being killed. Before they parted ways, Walt and Roland made a promise to shake hands on top of the bluffs overlooking Omaha Beach.



MEDAL OF HONOR

WALTER D. EHLERS
1921 - 2014

Staff Sergeant, US Army,
18th Infantry, 1st Infantry Division

PHOTO: COAST OF NORMANDY, FRANCE

Landing on June 6, 1944, Staff Sergeant Walt Ehlers and his entire squad made it off the beach unscathed and pushed inland. Unfortunately, Roland wouldn’t make it up to the bluffs; he was among the more than 1,400 Americans killed in action that day.

On June 9, 1944, near the small Norman village of Goville, Ehlers led his men on an attack that knocked out a German mortar position and multiple machine gun nests. The next day, as his unit encountered German resistance, he was wounded while covering the retreat of his comrades. Despite his wound, he carried one of his squad members back to safety. It would be six long months before Walt learned that he was awarded the Medal of Honor for these actions.

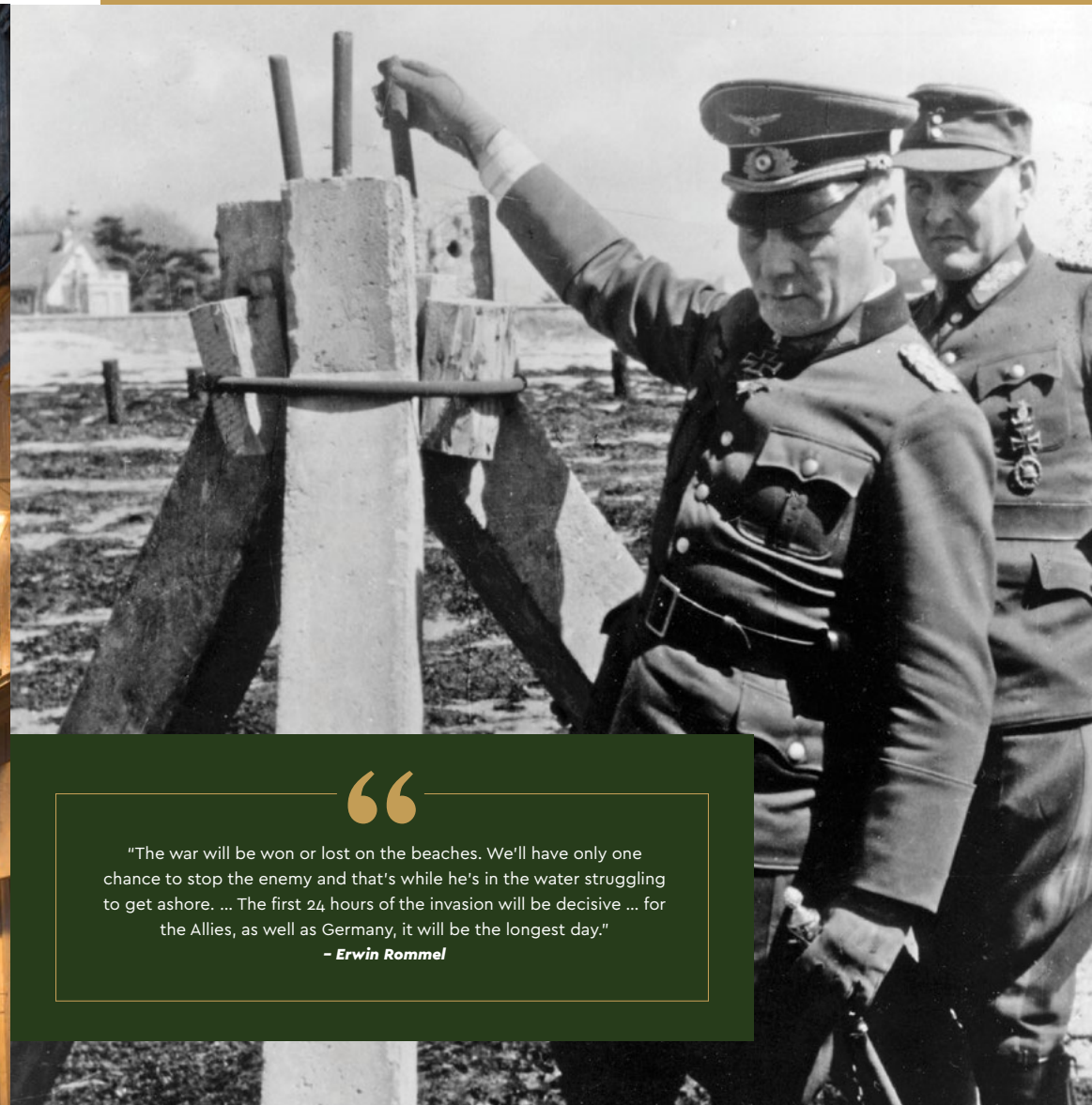
After the Normandy campaign, Ehlers and the 1st Infantry Division pushed across France, into the Hürtgen Forest, and then into Germany. In addition to the Medal of Honor, Ehlers received three Purple Hearts and a Silver Star. Following the war, Ehlers became an advocate for military veteran benefits, interviewing a wide range of veterans through his work with the Veterans Administration. The National WWII Museum is honored to have Walter Ehlers’s Medal of Honor and oral history in our collection and on exhibit.



DAY TWO

LA ROCHE-GUYON / LES ANDELYS

This morning, arrive at La Roche-Guyon, the famous 12th-century château on the Seine where German Field Marshal Erwin Rommel had his headquarters. At La Roche-Guyon, “The Desert Fox” planned and prepared the tough defenses that the Allies encountered on D-Day, as well as the German movements during the campaign that followed. After lunch onboard the ship, dock at Les Andelys and visit Château Gaillard—Richard the Lionheart’s 12th-century stronghold—offering inspiring views of the Seine River. *Accommodations: SS Joie de Vivre (B, L, R, D)*



“

“The war will be won or lost on the beaches. We’ll have only one chance to stop the enemy and that’s while he’s in the water struggling to get ashore. ... The first 24 hours of the invasion will be decisive ... for the Allies, as well as Germany, it will be the longest day.”

– Erwin Rommel

HISTORICAL PERSPECTIVE

ERWIN ROMMEL: “THE DESERT FOX”

Field Marshal Erwin Rommel was Germany’s most celebrated commander during the war. Known as “The Desert Fox” for his achievements against the British in North Africa, he was appointed by Hitler to be in command of the Normandy region’s coastal fortifications and defenses. When he arrived in November 1943, he quickly and markedly improved the German defenses that would await the Allies on D-Day.

PHOTO PAGE 10: RUE DU GROS-HORLOGE, ROUEN; PHOTO PAGE 11: FIELD MARSHAL ERWIN ROMMEL INSPECTS GERMAN BEACH DEFENSES ALONG THE ATLANTIC WALL IN NORMANDY, EARLY 1944. COURTESY OF PICTORIAL PRESS LTD/ALAMY STOCK PHOTO.



DAY THREE

VERSAILLES

This morning, dock in Mantes-la-Jolie, gateway to both the city of Versailles and the commune of Auvers-sur-Oise. At the end of World War I, the world’s statesmen gathered at the Palace of Versailles to sign the ill-fated peace treaty ending “The Great War.” The defeated Germans ultimately rejected the harsh provisions of the Treaty of Versailles, setting the stage for another world war just two decades later. Visit the famous *Galerie des Glaces* (Hall of Mirrors), the actual site of the treaty signing. Also included is an exclusive tour of the royal apartments, which still look much as they did when Louis XVI and Marie Antoinette fled before an outraged mob in 1789.

Accommodations: SS Joie de Vivre (B, L, R, D)



PHOTO (TOP): VERSAILLES; PHOTO (BOTTOM): TOUR GUESTS IN THE HALL OF MIRRORS AT VERSAILLES

DAY FOUR

ROUEN / DIEPPE

On the northern coast of France lies the fishing community of Dieppe. It was here in August 1942, that the ill-fated Allied raid, consisting mostly of Canadian forces, offered invaluable lessons for D-Day nearly two years later. Marvel at the smooth stones that make up the beach and imagine the difficulty of landing and advancing while under fire. The boardwalk behind the beach contains tributes to the men who came ashore in hopes of liberating the town, and a keen eye will be able to spot the German emplacements on the cliffs above Dieppe. After free time for lunch, explore this charming seaside town then return to Rouen. Described by Victor Hugo as “the city with a hundred bell towers,” and the scene of the Eighth Air Force’s first bombing mission over Europe in 1942, take part in a walking tour of the town center or return to the ship to relax before dinner this evening.

Accommodations: SS Joie de Vivre (B, R, D)



PHOTO (TOP): DIEPPE RAID—AUGUST 1942. COURTESY OF SUEDEUTSCHE ZEITUNG PHOTO/ALAMY STOCK PHOTO; PHOTO (BOTTOM): VIEW OF MODERN-DAY DIEPPE



HISTORICAL PERSPECTIVE

THE ROAD TO NORMANDY

From the moment the Nazis conquered Western Europe in their great blitzkrieg offensive of May–June 1940, the Allies began to plan and prepare for their eventual cross-channel invasion. It would be four years before the Allied nations made their triumphant return to the continent on June 6, 1944. While it was an eventual success, it was a hard, bitter fight to invade the vast, open beaches at Normandy and fight inland toward Paris, then Germany—and to ultimate victory. Only a fraction of the 16.4 million Americans who served in World War II are still alive today. This exceptional journey allows us to hear their stories, pay homage to their fallen comrades, and truly honor a generation who sacrificed so much for the betterment of the world.



DAY FIVE

BAYEUX / DISEMBARK THE SS JOIE DE VIVRE

Spend the morning exploring the picturesque town of Bayeux. Touring includes a viewing of the Bayeux Tapestry—the historic 230-foot-long embroidered chronicle of William the Conqueror's cross-channel invasion of England in 1066. Continue to the medieval center of the town to explore the Bayeux Cathedral on your own. After free time to shop and have lunch at your leisure, head to Rouen to embark on the luxurious SS *Joie de Vivre*.

Accommodations: SS Joie de Vivre (B, R, D)

PHOTO PAGE 14: BAYEUX CATHEDRAL; PHOTO PAGE 15: BAYEUX TAPESTRY, BAYEUX



DAY SIX

THE BRITISH SECTOR

Today's tour of Normandy begins where British airborne troops fired the first shots of the invasion at the crucial Pegasus Bridge. Landing their wooden gliders just yards from the bridge, the men of the British 6th Airborne Division surprised the defenders and scored D-Day's first victory. The tour then follows the coastal road past Sword, Juno, and Gold Beaches before arriving in Arromanches, known for the remains of an artificial Mulberry harbor, constructed by the Allies after D-Day. Next is a trip to Longues-sur-Mer, the only German battery in Normandy with the original guns still in place.

Accommodations: Château (B, D)



PHOTO PAGE 8: LONGUES-SUR-MER GERMAN BATTERY; PHOTO PAGE 9 (TOP): MULBERRY HARBOR; PHOTO PAGE 9 (MIDDLE): PEGASUS BRIDGE; NO 1 GLIDER PILOTED BY JIM WALLWORK IS WITHIN FEET OF THE PLANNED TARGET. COURTESY OF PICTORIAL PRESS LTD / ALAMY STOCK PHOTO; PHOTO PAGE 9 (BOTTOM): MODERN-DAY PEGASUS BRIDGE

DAY SEVEN

US AIRBORNE: SAINTE-MÈRE-ÉGLISE & UTAH BEACH

This morning starts with a visit to La Fièvre Bridge, the scene of heavy fighting from June 6–8, 1944. Seizing this strategic causeway resulted in over 250 American casualties. Next, visit the town of Sainte-Mère-Église, where paratroopers landed during the predawn hours of D-Day. Dropping into the town square, the men of the 82nd Airborne Division fought tenaciously against the German defenders for control of this vital crossroads. Tour highlights include a visit to Musée Airborne and to the famous church. This afternoon, visit Utah Beach, one of the two American landing beaches, which consisted of four crucial causeways that allowed for the invasion forces to advance off the beach and through the flooded fields. Hear the story of General Theodore Roosevelt Jr., and visit the Utah Beach Landing Museum, which features a restored B-26 Marauder and detailed re-creations of the German beach defenses. End the touring day with a stop at Brécourt Manor, the scene of the assault led by Dick Winters famously depicted in the HBO miniseries *Band of Brothers*. **Accommodations:** *Château (B, L, R, D)*

PHOTO PAGE 10: TOUR GROUP AT THE FAMOUS CHURCH IN SAINTE-MÈRE-ÉGLISE
PHOTO PAGE 11: HIGGINS BOAT MONUMENT, UTAH BEACH LANDING MUSEUM, NORMANDY



HISTORICAL PERSPECTIVE

THE CHURCH AT SAINT-MÈRE-ÉGLISE

On the night of June 5–6, 1944, during the parachute drop of Airborne troops in the area of Sainte-Mère-Église, Private John Steele was hit in the foot by a burst of flak. He could not control his parachute and landed on the steeple of the church around 1:00 a.m. Steele tried to free himself from his parachute for more than two hours while the battle raged on in the church square below. Finally, two German soldiers freed him, took him prisoner, and cared for his wounded foot. He escaped and joined the Allied lines three days later before being transferred to a hospital in England. For his actions and his injuries, Steele was awarded the Bronze Star medal for bravery and a Purple Heart medal for wounds in combat. This action was featured in the movie *The Longest Day*, and, to this day, a “dummy” paratrooper hangs from the church steeple commemorating this event.





DAY EIGHT

POINTE DU HOC / OMAHA BEACH / NORMANDY AMERICAN CEMETERY

The morning touring begins at Pointe du Hoc, where the 2nd Ranger Battalion landed at the base of a 100-foot cliff and scaled the vertical face in order to neutralize this heavily fortified German position. A visit to nearby “Bloody Omaha” honors the sacrifice on its sands, while a close-up view of the intricate German defense system at Saint-Laurent-sur-Mer and Vierville-sur-Mer gives a sense of the overwhelming odds those soldiers faced. The day concludes with a visit to the Normandy American Cemetery to pay respects to the 9,387 Americans buried in the ground they helped liberate. Enjoy a “Farewell to Normandy” dinner at the château this evening.

Accommodations: Château (B, L, R, D)

DAY NINE

DEPARTURE

Bid farewell to Normandy and transfer to Paris Charles de Gaulle Airport (CDG) for individual journeys home (B)

PHOTO: TOUR GUESTS STAND ON OMAHA BEACH WITH A VIEW OF THE STEEP BLUFFS BEHIND THEM

EXTEND YOUR TRIP

OPTIONAL TWO-NIGHT PRE-TOUR EXTENSION
OCTOBER 24–26, 2025

THE LIBERATION OF PARIS

Featuring Michael Neiberg, PhD

Only \$2,599* per person double occupancy, \$2,999* per person single
*\$129 per person in taxes and fees are additional. Airport transfers are included.

DAY ONE: PARIS UNDER OCCUPATION / DEPORTATION

After morning arrivals into Paris Charles de Gaulle Airport (CDG), transfer to Prince de Galles, Paris to store your luggage and enjoy lunch in the area prior to afternoon touring. begin your adventure with visits to the Trocadero and the iconic Eiffel Tower, where you'll enjoy breathtaking views and gain insights into what living in Paris was like after it fell to the Nazis in 1940. When the Nazis took power in Paris, the mass roundups and deportations of Jews had not yet begun at a large scale. The significant roundup, known as the Vel' d'Hiv Roundup (Rafle du Vel' d'Hiv), took place later, on July 16-17, 1942. During this roundup, approximately 13,000 Jews, including about 4,000 children, were arrested by French police acting on German orders. The Jews who were rounded up during this period were initially held in temporary detention centers in and around Paris, such as the Velodrome d'Hiver sports arena, Drancy internment camp, and other locations. From these holding areas, they were deported primarily to Auschwitz concentration camp in Poland, where most of them were killed.

Learn more about their stories at the Vel d'Hiv Monument, the Children's Memorial Garden, and Jewish Deportation Memorial, a moving tribute to those who suffered during the Holocaust. After lunch on your own, Walk in the footsteps of resistance fighters on a guided tour from Notre Dame to the Luxembourg Gardens, uncovering stories of bravery and resilience. After a welcome reception and lecture, this evening is free to explore Paris on your own. *Accommodations: Prince de Galles, Paris (R)*

DAY TWO: LIBERATION

Visit the solemn grounds of Mount Valerian and its cemetery located in Suresnes, a suburb just west of Paris. It served as a major execution ground where the Nazis executed over a thousand resistance fighters and hostages. Visitors can explore the memorial site and learn about the acts of bravery and resistance that took place there during the war. After lunch with the group, spend the afternoon at the Paris Liberation Museum. Situated near the Montparnasse area, the museum is dedicated to the history of the city's liberation during World War II. Opened in 2019, the museum is housed in a building that was once the headquarters of the resistance leader Colonel Rol-Tanguy. The exhibits provide an in-depth look at the occupation of Paris, the French Resistance, and the eventual liberation of the city in 1944. Visitors can explore a wealth of artifacts, documents, photographs, and personal testimonies that vividly depict the struggles and triumphs of this pivotal period in history. The museum also features an immersive underground bunker used by the resistance, offering a unique glimpse into the clandestine operations that helped free Paris. This evening is free to explore Paris on your own. *Accommodations: Prince de Galles, Paris (B, L)*

DAY THREE: RESISTANCE

Walk in the footsteps of resistance fighters on a guided tour from Notre Dame to the Luxembourg Gardens, uncovering stories of bravery and resilience. Enjoy lunch on your own in the area then transfer to SS *Jolie de Vivre* to embark and begin the main tour. (B)



Spend four nights at one of two hand-selected châteaux in the heart of Normandy.



RESTAURANT



STANDARD ROOM



RESTAURANT



STANDARD ROOM

Château La Chenevière

Château La Chenevière is a 5-star hotel renovated from an 18th-century mansion and farm. The château was occupied by the Germans during World War II and then the Americans after the D-Day landings. It was fully restored in 1988 to become the lush hotel-restaurant that it is today. La Chenevière boasts 28 spacious and comfortable rooms that reflect the elegance and romance of its design. The decor of each room has an individual design, with a perfect blend of modern comforts and traditional luxury. Room amenities include complimentary Wi-Fi, fully stocked mini bar, hair dryer, bathrobe and slippers, and courtesy l'Occitane toiletries.

Château D'Audrieu

Château D'Audrieu, a 5-star hotel situated between Caen and Bayeux in Calvados, is ideally located in the heart of Normandy's countryside. During World War II, the German army set up their headquarters here. On the June 8, 1944, 45 members of the 3rd Canadian Infantry Division and two British soldiers were killed in the orchards, forests, and clearings around the château. This 18th-century residence is listed as a Historical Monument and joined the prestigious Relais & Châteaux Association in 1977. Twenty-nine elegant rooms with garden views feature satellite TV, Wi-Fi access, and minibars. Suites offer original Louis XV and XVI furniture, or art deco styling. Le Séran restaurant serves high-end cuisine. The property also includes a bar, period-style lounges, and a charming breakfast room.



For more information on Château La Chenevière, please visit lacheneviere.com, or scan the QR code with your smartphone



For more information on Château D'Audrieu, please visit chateaudaudrieu.com, or scan the QR code with your smartphone





GRAND SUITE

The SS *Joie De Vivre*

UNIQUELY BOUTIQUE

The SS *Joie de Vivre*, a brightly colored, chic, and sophisticated superyacht on the Seine, provides a relaxed social atmosphere and plenty of space for private contemplation. Under the guidance of Uniworld's talented chef, savor wrap-around views of the Seine while enjoying classic French cuisine. After retracing remarkable battlefield stories on shore, reflect and recharge at Club L'Esprit, the onboard spa and wellness center. Experience the magic each evening as Club L'Esprit transforms into Claude's, a vibrant bar and entertainment venue. Claude's glitzy and glamorous atmosphere is the perfect place to listen to local music and enjoy signature cocktails with fellow guests and the world-renowned featured tour historians.

SHIP FEATURES & AMENITIES

- :: Salon de Toulouse with full-service bar
- :: Le Bistrot
- :: Le Restaurant Pigalle
- :: Claude's/Club L'Esprit with full-service bar
- :: Deck de Montmartre
- :: Heated enclosed swimming pool
- :: Well-equipped fitness center & spa
- :: Laundry
- :: Elevator
- :: 24-hour specialty coffee and tea station
- :: Free internet & Wi-Fi access

SS *JOIE DE VIVRE* SUITES

In addition to the amenities listed below, all suites onboard also enjoy in-suite butler service, daily fruit & cookie plate, evening snacks, Nespresso coffee machine and fine teas, and a fully stocked mini-bar including bottled water. Other amenities include wine on arrival, shoeshine, and free laundry service.

GRAND SUITE (410 SQ. FT.)

- :: French balcony
- :: Spacious separate living room
- :: Separate rain shower and tub
- :: Secluded toilet and bidet area
- :: Handcrafted Savolr® Beds of England
- :: Built-in closet
- :: Hair dryer
- :: Safe
- :: Individual thermostat
- :: Flat-screen TV with infotainment center and satellite

GRAND SUITE BATHROOM



SUITE (260 SQ. FT.)

- :: French balcony
- :: Handcrafted Savolr® Beds of England
- :: Built-in closet
- :: Hair dryer
- :: Safe
- :: Individual thermostat
- :: Flat-screen TV with infotainment center and satellite

SUITE



SS JOIE DE VIVRE STATEROOMS



DELUXE FRENCH BALCONY (194 SQ FT.)

- :: French balcony
- :: Marble bath with Asprey bath and body products
- :: Plush towels and towel warmer
- :: Cozy bathrobes and slippers
- :: Handcrafted Savolr® Beds of England
- :: Built-in closet
- :: Hair dryer
- :: Safe
- :: Individual thermostat
- :: Flat-screen TV with infotainment center and satellite
- :: Bottled water



FRENCH BALCONY (194 SQ FT.)

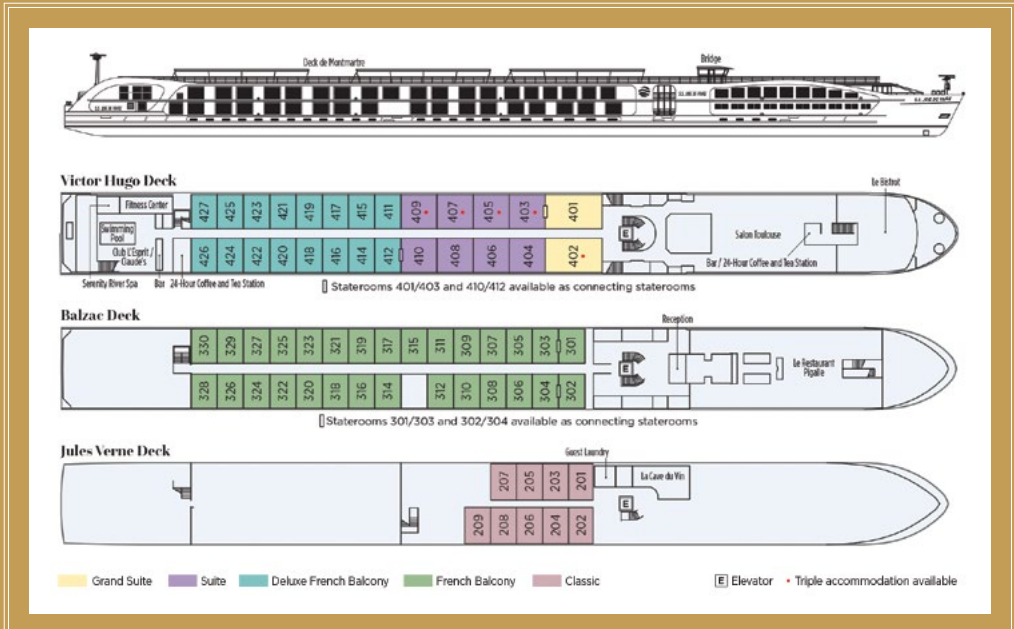
- :: French balcony
- :: Marble bath with Asprey bath and body products
- :: Plush towels and towel warmer
- :: Cozy bathrobes and slippers
- :: Handcrafted Savolr® Beds of England
- :: Built-in closet
- :: Hair dryer
- :: Safe
- :: Individual thermostat
- :: Flat-screen TV with infotainment center and satellite
- :: Bottled water



CLASSIC (162-180 SQ FT.)

- :: Marble bath with Asprey bath and body products
- :: Plush towels and towel warmer
- :: Cozy bathrobes and slippers
- :: Handcrafted Savolr® Beds of England
- :: Built-in closet
- :: Hair dryer
- :: Safe
- :: Individual thermostat
- :: Flat-screen TV with infotainment center and satellite
- :: Bottled water

DECK PLAN



LEARN MORE ABOUT UNIWORLD SS JOIE DE VIVRE

Simply scan the code with your smartphone camera or visit ww2museumtours.org.



PRICING (Save up to \$2,000 per couple when booked by December 31, 2024)

ROOM	REGULAR PRICE (Double)	EARLY BOOKING*	REGULAR PRICE (Single)	EARLY BOOKING*
Grand Suite - Victor Hugo Deck	\$14,999	\$13,999	-	-
Suite - Victor Hugo Deck	\$12,999	\$11,999	-	-
Deluxe French Balcony - Victor Hugo Deck	\$11,999	\$10,999	-	-
French Balcony - Balzac Deck	\$10,599	\$9,599	\$11,998	\$10,998
Classic - Jules Verne Deck	\$8,599	\$7,599	\$11,298	\$10,298

*\$399 per person taxes and fees are additional.

ADDITIONAL INFORMATION

Guests who book a suite aboard SS *Joie de Vivre* will receive a suite at either the Château D'Audrieu or Château La Chenevière. Guests booking in the French Balcony category may have the option to upgrade to a suite at their château if desired, for an additional fee. All other levels of accommodation will receive Standard/Classic or Deluxe rooms as assigned by the château.

Single accommodations are available in limited quantities in the French Balcony and Classic Stateroom categories only. Pricing and itinerary subject to change. Airfare is not included in the prices listed.

BOOK ONLINE NOW. ONLY 1 DEPARTURE OFFERED PER YEAR!

Simply scan the code with your smartphone camera or visit ww2museumtours.org.



WWII

THE NATIONAL
WWII MUSEUM
TRAVEL



PHOTO: LILIANE BERT, A FRENCH FILM ACTRESS, SHOWS HER JOY AT HÔTEL DE VILLE, LIBERATION OF PARIS, 1944. COURTESY OF SERGE DE SAZO, GAMMA-RAPHO COLLECTION, GETTY IMAGES.