

WWII

THE NATIONAL
WWII MUSEUM
TRAVEL

LANDING BEACHES TO LIBERATION

The Battle of Normandy and Seine River Cruise to Paris

**October 26 –
November 3, 2025**

D-DAY BEACHES

UTAH OMAHA GOLD JUNO
SWORD

Seine River

An opulent 4-night château experience
in Normandy and luxury 4-night Seine cruise
aboard Uniworld's SS *Joie de Vivre*.



Paris

Featuring World-Renowned Authors and Historians
**Michael Neiberg, PhD &
William Hitchcock, PhD**

SAVE \$2,000 per couple when
booked by December 31, 2024!



STEPHEN J. WATSON

Featuring an exclusive lecture series and comprehensive touring, this unique educational program combines learning and sightseeing with a whole new level of luxury.

Dear Traveler,

The National WWII Museum in New Orleans has long honored our mission to preserve the history and teachings of *the war that changed the world* through exhibitions, educational programs, and battlefield tours. The story of D-Day and the Allied invasion of Normandy have been at the heart of this Museum since we first opened our doors on June 6, 2000, and while our mission has expanded to cover the entire American experience in World War II, we still hold our Normandy travel programs in special regard—and consider them the very best in the market.

It is with great excitement that I invite you to join this remarkable journey designed to offer even more meaningful personal insight into Normandy and the Seine River Valley. Led by expert WWII historians and accompanied by local battlefield guides, this memorable tour offers a unique opportunity to delve into D-Day and the Battle of Normandy along the French coast, explore the rich culture of the Normandy countryside, and cruise the Seine River into the heart of France. Along the way, you'll learn the timeless stories of those who sacrificed so much to pull off the greatest amphibious attack in history and ultimately secure the freedom we enjoy today. After an emotional tour of the Normandy beaches, the Seine River will guide you to well-preserved villages and less-visited historic sites before returning you to the "City of Light."

Even if you have visited France before, I encourage you not to miss this poignant and unforgettable château stay and luxury cruise voyage—an exclusive charter by The National WWII Museum Educational Travel Program.

We are honored to share the stories of the heroes to whom we owe so much.

Sincerely,

Stephen J. Watson
President & CEO, The National WWII Museum

“

"This was an amazing trip. We have traveled around the world, but this trip was more meaningful than any we have taken because of the history of the places we visited. What happened in Normandy and the rest of France had an enormous impact on us as Americans. Our lives would have been very different had the Normandy invasion failed. We can't wait to visit the Museum and share what we learned on our trip with our children and grandchildren."

– Sharon A., La Jolla, CA

"This trip was truly the finest we have been on from start to finish. Every aspect showed attention to detail, comfort, learning, and enjoyment. We have already recommended this to friends. Thank you so very much for such a wonderful and meaningful voyage."

– Carolyn B., Louisville, KY



COVER PHOTO: LILIANE BERT, A FRENCH FILM ACTRESS, SHOWS HER JOY AT HOTEL DE VILLE, LIBERATION OF PARIS, 1944. COURTESY OF SERGE DE SAZO, GETTY IMAGES.

PHOTO (TOP): AERIAL VIEW OF ROUEN; COVER PHOTO (MIDDLE LEFT): SS JOIE DE VIVRE DOCKED ON THE SEINE; PHOTO (MIDDLE RIGHT): CHÂTEAU GAILLARD; PHOTO (BOTTOM): TOUR GUESTS DINING ABOARD SS JOIE DE VIVRE



The city of Rouen in ruins, 1944



Liberation of Paris



Rangers at Pointe du Hoc



Field Marshal Erwin Rommel



Landing on Omaha Beach,
June 6, 1944



The Dieppe Raid, August 19, 1942

UNITED KINGDOM

BELGIUM

ENGLISH CHANNEL

FRANCE

ITINERARY MAP

ITINERARY MAP

D-DAY BEACHES

UTAH OMAHA GOLD JUNO SWORD

Château La Chenevière

Bayeux

Château D'Audrieu

Dieppe

Rouen

Les Andelys

La Roche-Guyon

Mantes-la-Jolie

Versailles

Paris

Flights not included

Scan the QR code or visit ww2museumtours.org to explore departure dates and early booking discounts.

- Cruise
- Port
- Excursion Option
- Excursion



Rouen, France



Palace of Versailles



Ranger Memorial at Pointe Du Hoc



La Roche-Guyon, Rommel's headquarters
in 1944



Omaha Beach



Dieppe

ABOUT THE TOUR

SAVE \$2,000 PER COUPLE WHEN BOOKED BY DECEMBER 31, 2024



LANDING BEACHES TO LIBERATION

The Battle of Normandy and Seine River Cruise to Paris

OCTOBER 26 – NOVEMBER 3, 2025

From ~~\$8,599~~ \$7,599* per person double occupancy
~~\$11,298~~ \$10,298* single occupancy

*See page 25 for deck plan and full pricing chart. \$399 taxes and fees per person are additional.

Your journey in Normandy and on the Seine River features renowned historians and expert local guides with unparalleled knowledge of WWII locations—from lesser-known sites available exclusively to The National WWII Museum's travel programs to iconic landmarks steeped in heroism and history. Visit the famous church in Sainte-Mère-Église, stand on Omaha Beach to view the intricate German defense system, and ponder the overwhelming odds the American soldiers faced on June 6, 1944. Cross Pegasus Bridge, where the men of the British 6th Airborne Division won the first battle of D-Day just minutes after midnight. Along the way, appreciate the beauty, culture, and history of a region that has played a critical role throughout world history.

DAY ONE

DEPART THE US / PARIS ARRIVAL / TRANSFER TO BAYEUX

Depart the US on an evening flight and arrive at Paris Charles de Gaulle Airport (CDG) the next morning. Guests are warmly welcomed during a breakfast reception at the Sheraton Charles de Gaulle Airport hotel and transfer to Normandy midday. Enjoy the scenic coach ride to the Normandy region, with a stop for an independent lunch along the way. After enjoying some free time to relax or explore the grounds of your preferred château, the group gathers this evening for introductions and an itinerary overview during a welcome reception and dinner.

Accommodations: Château (R, D)

PHOTO PAGE 6: TOUR GUESTS AT LA FIÈRE; PHOTO PAGE 7 (LEFT): DIEPPE CANADIAN WAR CEMETERY; PHOTO PAGE 7 (TOP RIGHT): TROCADERO IN PARIS; PHOTO PAGE 7 (BOTTOM RIGHT): ROUEN CATHEDRAL



DAY TWO

THE BRITISH SECTOR

Today's tour of Normandy begins where the first shots of the invasion were fired by British glider troops at the crucial Pegasus Bridge. Guests learn about Major John Howard and his men of the "Ox and Bucks" and how they were able to secure and hold the bridge. Drive along the British and Canadian sectors while hearing stories of the landings that took place to the east of the American assaults. Midday, arrive at Arromanches, explore this quaint village, and enjoy lunch on your own. This afternoon, view the remains of a Mulberry harbor and gain insight into this great feat of engineering and ingenuity. Next, a trip up the commanding bluff culminates in a visit to the German gun battery at Longues-sur-Mer. This evening, join the group for dinner at the château.

Accommodations: Château (B, R, D)



PHOTO PAGE 8: LONGUES-SUR-MER GERMAN BATTERY; PHOTO PAGE 9 (TOP): MULBERRY HARBOR; PHOTO PAGE 9 (MIDDLE): PEGASUS BRIDGE: NO 1 GLIDER PILOTED BY JIM WALLWORK IS WITHIN FEET OF THE PLANNED TARGET. COURTESY OF PICTORIAL PRESS LTD / ALAMY STOCK PHOTO; PHOTO PAGE 9 (BOTTOM): MODERN-DAY PEGASUS BRIDGE

DAY THREE

US AIRBORNE: SAINTE-MÈRE-ÉGLISE & UTAH BEACH

This morning starts with a visit to La Fièvre Bridge, the scene of heavy fighting from June 6–8, 1944. Seizing this strategic causeway resulted in over 250 American casualties. Next, visit the town of Sainte-Mère-Église, where paratroopers landed during the predawn hours of D-Day. Dropping into the town square, the men of the 82nd Airborne Division fought tenaciously against the German defenders for control of this vital crossroads. Tour highlights include a visit to Musée Airborne and to the famous church. This afternoon, visit Utah Beach, one of the two American landing beaches, which consisted of four crucial causeways that allowed for the invasion forces to advance off the beach and through the flooded fields. Hear the story of General Theodore Roosevelt Jr., and visit the Utah Beach Landing Museum, which features a restored B-26 Marauder and detailed re-creations of the German beach defenses. End the touring day with a stop at Brécourt Manor, the scene of the assault led by Dick Winters famously depicted in the HBO miniseries *Band of Brothers*.

Accommodations: *Château (B, L, R, D)*

PHOTO PAGE 10: TOUR GROUP AT THE FAMOUS CHURCH IN SAINTE-MÈRE-ÉGLISE.
PHOTO PAGE 11: HIGGINS BOAT MONUMENT, UTAH BEACH LANDING MUSEUM, NORMANDY.

HISTORICAL PERSPECTIVE

THE CHURCH AT SAINT-MÈRE-ÉGLISE

On the night of June 5–6, 1944, during the parachute drop of Airborne troops in the area of Sainte-Mère-Église, Private John Steele was hit in the foot by a burst of flak. He could not control his parachute and landed on the steeple of the church around 1:00 a.m. Steele tried to free himself from his parachute for more than two hours while the battle raged on in the church square below. Finally, two German soldiers freed him, took him prisoner, and cared for his wounded foot. He escaped and joined the Allied lines three days later before being transferred to a hospital in England. For his actions and his injuries, Steele was awarded the Bronze Star medal for bravery and a Purple Heart medal for wounds in combat. This action was featured in the movie *The Longest Day*, and, to this day, a “dummy” paratrooper hangs from the church steeple commemorating this event.



DAY FOUR

POINTE DU HOC / OMAHA BEACH / NORMANDY AMERICAN CEMETERY

The morning tour begins at Pointe du Hoc, where the 2nd Ranger Battalion scaled the cliffs to neutralize the fortified German position. The next stop is “Bloody Omaha” beach, where US forces overcame the odds to etch a heroic chapter in history. Visits to the coastal towns of Saint-Laurent-sur-Mer and Vierville-sur-Mer provide a close-up view of the intricate German defense system on Omaha and give a sense of the overwhelming odds American soldiers faced on June 6, 1944. After lunch, visit the Normandy American Cemetery to pay respects to the 9,387 Americans buried in the ground they helped liberate. This evening, take part in a special “Farewell to Normandy” dinner with the group.

Accommodations: Château (B, L, R, D)



DAY FIVE

BAYEUX / BOARD THE SS JOIE DE VIVRE

Spend the last morning in coastal Normandy exploring the picturesque town of Bayeux. Touring includes a viewing of the Bayeux Tapestry—the historic 230-foot-long embroidered chronicle of William the Conqueror’s cross-channel invasion of England in 1066. Continue to the medieval center of the town to explore the Bayeux Cathedral on your own. After free time to shop and have lunch at your leisure, head to Rouen to embark on the luxurious SS *Joie de Vivre*.

Accommodations: SS Joie de Vivre (B, R, D)

PHOTO PAGE 12: AERIAL OF NORMANDY AMERICAN CEMETERY; PHOTO PAGE 13: BAYEUX CATHEDRAL

.....
IN REMEMBRANCE

THROUGH *Their Eyes*

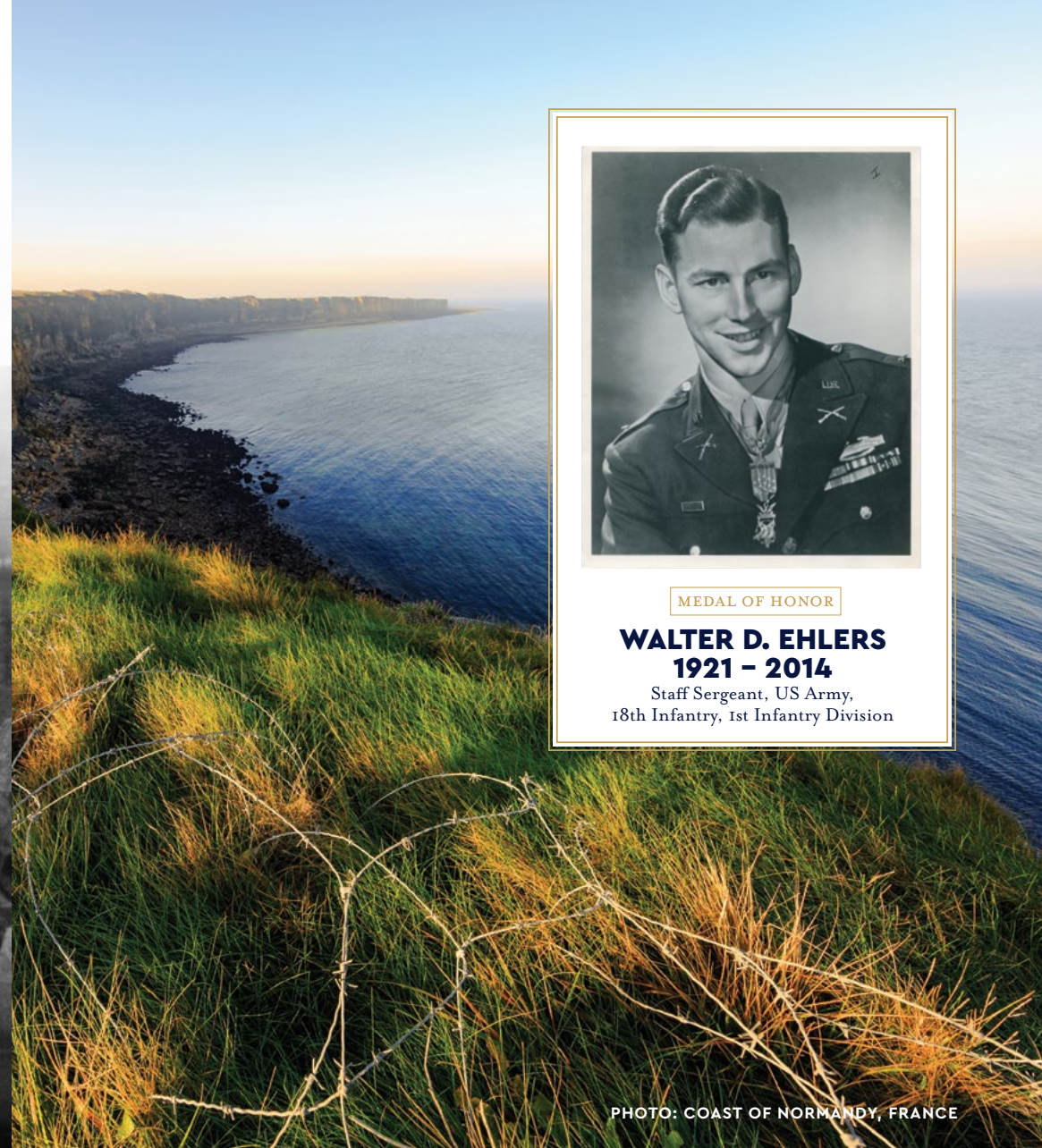
REMEMBERING THE FALLEN IN NORMANDY



WALT EHLERS: A HISTORY OF SERVICE

In 1940, Walter "Walt" Ehlers of Kansas wanted to join his brother Roland in the US Army but needed his mother's permission to enlist since he was not yet of age. Serving in the same unit, the 3rd Infantry Division, the two brothers first saw combat in North Africa, landing near Casablanca during Operation Torch, then at the famous battle of El Guettar, where the Americans were able to defeat the more experienced German forces.

They were transferred to the 1st Infantry Division together and participated in the invasion of and battle for Sicily. The Ehlers brothers then shipped to England in preparation to spearhead the Normandy invasion with the 1st Infantry Division. In anticipation of high casualties, their commander placed the brothers in different companies, to avoid both brothers being killed. Before they parted ways, Walt and Roland made a promise to shake hands on top of the bluffs overlooking Omaha Beach.



MEDAL OF HONOR

WALTER D. EHLERS
1921 - 2014

Staff Sergeant, US Army,
18th Infantry, 1st Infantry Division

PHOTO: COAST OF NORMANDY, FRANCE

Landing on June 6, 1944, Staff Sergeant Walt Ehlers and his entire squad made it off the beach unscathed and pushed inland. Unfortunately, Roland wouldn't make it up to the bluffs; he was among the more than 1,400 Americans killed in action that day.

On June 9, 1944, near the small Norman village of Goville, Ehlers led his men on an attack that knocked out a German mortar position and multiple machine gun nests. The next day, as his unit encountered German resistance, he was wounded while covering the retreat of his comrades. Despite his wound, he carried one of his squad members back to safety. It would be six long months before Walt learned that he was awarded the Medal of Honor for these actions.

After the Normandy campaign, Ehlers and the 1st Infantry Division pushed across France, into the Hürtgen Forest, and then into Germany. In addition to the Medal of Honor, Ehlers received three Purple Hearts and a Silver Star. Following the war, Ehlers became an advocate for military veteran benefits, interviewing a wide range of veterans through his work with the Veterans Administration. The National WWII Museum is honored to have Walter Ehlers' Medal of Honor and oral history in our collection and on exhibit.



DAY SIX

ROUEN / DIEPPE

On the northern coast of France lies the fishing community of Dieppe. It was here in August 1942, that the ill-fated Allied raid, consisting mostly of Canadian forces, offered invaluable lessons for D-Day nearly two years later. Marvel at the smooth stones, called shale, that make up the beach. Traction is difficult while walking on them, so one can imagine the difficulty of landing and advancing while under fire. The boardwalk behind the beach contains tributes to the units and men who came ashore in hopes of seizing and holding the town. A keen eye will be able to spot the German emplacements on the cliffs above Dieppe. After lunch and free time in this charming seaside town, return to Rouen. Described by Victor Hugo as “the city with a hundred bell towers,” Rouen was the scene of the Eighth Air Force’s first bombing mission over Europe in 1942, just two days before the Dieppe Raid. Take part in a walking tour of the town center or return to the ship to relax before dinner this evening.

Accommodations: S.S. Joie de Vivre (B, R, D)

DAY SEVEN

LA ROCHE-GUYON / LES ANDELYS

This morning, arrive at La Roche-Guyon, the famous 12th-century château on the Seine where German Field Marshal Erwin Rommel established his headquarters. At La Roche-Guyon, “The Desert Fox” planned and prepared the tough defenses that the Allies encountered on D-Day, as well as the German maneuvers during the campaign that followed. After lunch onboard the ship, dock at Les Andelys, and visit Château Gaillard, Richard the Lionheart’s 12th-century stronghold, offering inspiring views of the Seine River.

Accommodations: SS Joie de Vivre (B, L, R, D)

PHOTO PAGE 14: RUE DU GROS-HORLOGE, ROUEN; PHOTO PAGE 15: AERIAL VIEW OF CHÂTEAU GAILLARD, LES ANDELYS. COURTESY OF ANDIA / ALAMY STOCK PHOTO.



DAY EIGHT

VERSAILLES

This morning, dock in Mantes-la-Jolie. At the end of World War I, the world’s statesmen gathered at the Palace of Versailles to sign the ill-fated peace treaty ending “The Great War.” The defeated Germans ultimately rejected the harsh provisions of the Treaty of Versailles, setting the stage for another world war just two decades later. Visit the famous *Galerie des Glaces* (Hall of Mirrors), the actual site of the treaty signing. Also included is an exclusive tour of the royal apartments, which still look much as they did when Louis XVI and Marie Antoinette fled before an outraged mob in 1789. Alternately, you may spend free time explore the areas near port independently.

Accommodations: SS Joie de Vivre (B, L, R, D)

DAY NINE

DISEMBARK IN PARIS

Disembark SS *Joie de Vivre* for transfer to Paris Charles de Gaulle Airport (CDG). (B)

PHOTO: VERSAILLES



AUTHOR AND HISTORIAN MICHAEL NEIBERG, PHD

Michael Neiberg is the Professor of History and Chair of War Studies in the Department of National Security and Strategy at the United States Army War College. His published work specializes on the First and Second World Wars in global context. *The Wall Street Journal* named his *Dance of the Furies: Europe and the Outbreak of World War I* one of the five best books ever written about that war. He is also the author of *The Blood of Free Men: The Liberation of Paris, 1944* and *Potsdam: The End of World War II and the Remaking of Europe*, both published by Basic Books. He is now at work on a history of US involvement in the Middle East from 1942 to 1950.



AUTHOR AND HISTORIAN WILLIAM HITCHCOCK, PHD

William I. Hitchcock is a New York Times best-selling author and award-winning teacher who has published numerous books relating to World War II, including *The Bitter Road to Freedom: A New History of the Liberation of Europe*, which was a finalist for the Pulitzer Prize and a winner of the George Louis Beer Prize from the American Historical Association. He is also the author of *The Age of Eisenhower: America and the World in the 1950s*. He received his BA from Kenyon College and his PhD from Yale University. He has been a Fulbright scholar, a fellow of the Nobel Institute in Oslo, and the holder of the Henry Kissinger Chair at the Library of Congress. He is now the James Madison Professor of History at the University of Virginia.

EXTEND YOUR TRIP

OPTIONAL TWO-NIGHT POST-TOUR

THE LIBERATION OF PARIS

Featuring Michael Neiberg, PhD

\$2,599* per person double, \$2,999* single occupancy
 \$129 per person in taxes & fees are additional.



For more information on the optional two-night post-tour extension and our featured historians, please visit ww2museumtours.org.



Spend the first 4 nights of your journey at one of two hand-selected châteaux in the Normandy countryside, your choice!

**Based on availability at time of booking.*



RESTAURANT



STANDARD ROOM



RESTAURANT



STANDARD ROOM

Château La Chenevière

Château La Chenevière is a 5-star hotel renovated from an 18th-century mansion and farm. The château was occupied by the Germans during World War II and then the Americans after the D-Day landings. It was fully restored in 1988 to become the lush hotel-restaurant that it is today. La Chenevière boasts 28 spacious and comfortable rooms that reflect the elegance and romance of its design. The decor of each room has an individual design, with a perfect blend of modern comforts and traditional luxury.

Room amenities include complimentary Wi-Fi, fully stocked mini bar, hair dryer, bathrobe and slippers, and courtesy l'Occitane toiletries.



For more information on Château La Chenevière, please visit lacheneviere.com, or scan the QR code with your smartphone



Château D'Audrieu

Château D'Audrieu, a 5-star hotel situated between Caen and Bayeux in Calvados, is ideally located in the heart of Normandy's countryside. During World War II, the German army set up their headquarters here. On the June 8, 1944, 45 members of the 3rd Canadian Infantry Division and two British soldiers were killed in the orchards, forests, and clearings around the château. This 18th-century residence is listed as a Historical Monument and joined the prestigious Relais & Châteaux Association in 1977. Twenty-nine elegant rooms with garden views feature satellite TV, Wi-Fi access, and minibars. Suites offer original Louis XV and XVI furniture, or art deco styling. Le Séran restaurant serves high-end cuisine. The property also includes a bar, period-style lounges, and a charming breakfast room.



For more information on Château D'Audrieu, please visit chateaudaudrieu.com, or scan the QR code with your smartphone





GRAND SUITE

The SS *Joie De Vivre*

UNIQUELY BOUTIQUE

The SS *Joie de Vivre*, a brightly colored, chic, and sophisticated superyacht on the Seine, provides a relaxed social atmosphere and plenty of space for private contemplation. Under the guidance of Uniworld's talented chef, savor wrap-around views of the Seine while enjoying classic French cuisine. After retracing remarkable battlefield stories on shore, reflect and recharge at Club L'Esprit, the onboard spa and wellness center. Experience the magic each evening as Club L'Esprit transforms into Claude's, a vibrant bar and entertainment venue. Claude's glitzy and glamorous atmosphere is the perfect place to listen to local music and enjoy signature cocktails with fellow guests and the world-renowned featured tour historians.

SHIP FEATURES & AMENITIES

- :: Salon de Toulouse with full-service bar
- :: Le Bistrot
- :: Le Restaurant Pigalle
- :: Claude's/Club L'Esprit with full-service bar
- :: Deck de Montmartre
- :: Heated enclosed swimming pool
- :: Well-equipped fitness center & spa
- :: Laundry
- :: Elevator
- :: 24-hour specialty coffee and tea station
- :: Free internet & Wi-Fi access

SS *JOIE DE VIVRE* SUITES

In addition to the amenities listed below, all suites onboard also enjoy in-suite butler service, daily fruit & cookie plate, evening snacks, Nespresso coffee machine and fine teas, and a fully stocked mini-bar including bottled water. Other amenities include wine on arrival, shoeshine, and free laundry service.

GRAND SUITE (410 SQ. FT.)

- :: French balcony
- :: Spacious separate living room
- :: Separate rain shower and tub
- :: Secluded toilet and bidet area
- :: Handcrafted Savolr® Beds of England
- :: Built-in closet
- :: Hair dryer
- :: Safe
- :: Individual thermostat
- :: Flat-screen TV with infotainment center and satellite

GRAND SUITE BATHROOM



SUITE (260 SQ. FT.)

- :: French balcony
- :: Handcrafted Savolr® Beds of England
- :: Built-in closet
- :: Hair dryer
- :: Safe
- :: Individual thermostat
- :: Flat-screen TV with infotainment center and satellite

SUITE



SS JOIE DE VIVRE STATEROOMS



DELUXE FRENCH BALCONY (194 SQ FT.)

- :: French balcony
- :: Marble bath with Asprey bath and body products
- :: Plush towels and towel warmer
- :: Cozy bathrobes and slippers
- :: Handcrafted Savolr® Beds of England
- :: Built-in closet
- :: Hair dryer
- :: Safe
- :: Individual thermostat
- :: Flat-screen TV with infotainment center and satellite
- :: Bottled water



FRENCH BALCONY (194 SQ FT.)

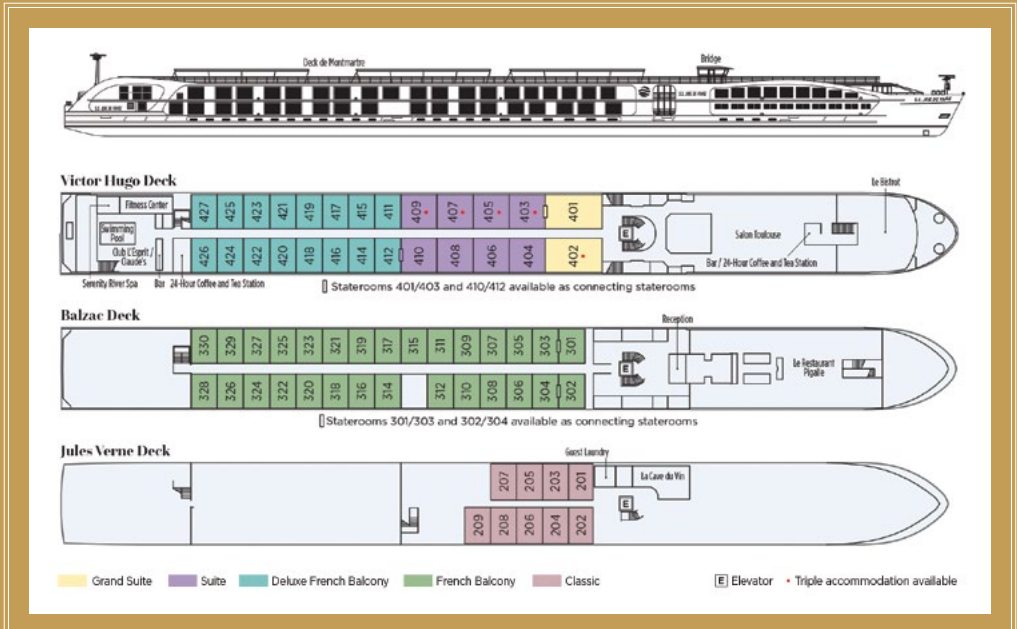
- :: French balcony
- :: Marble bath with Asprey bath and body products
- :: Plush towels and towel warmer
- :: Cozy bathrobes and slippers
- :: Handcrafted Savolr® Beds of England
- :: Built-in closet
- :: Hair dryer
- :: Safe
- :: Individual thermostat
- :: Flat-screen TV with infotainment center and satellite
- :: Bottled water



CLASSIC (162-180 SQ FT.)

- :: Marble bath with Asprey bath and body products
- :: Plush towels and towel warmer
- :: Cozy bathrobes and slippers
- :: Handcrafted Savolr® Beds of England
- :: Built-in closet
- :: Hair dryer
- :: Safe
- :: Individual thermostat
- :: Flat-screen TV with infotainment center and satellite
- :: Bottled water

DECK PLAN



LEARN MORE ABOUT UNIWORLD SS JOIE DE VIVRE

Simply scan the code with your smartphone camera or visit ww2museumtours.org.



PRICING (Save up to \$2,000 per couple when booked by December 31, 2024)

ROOM	REGULAR PRICE (Double)	EARLY BOOKING*	REGULAR PRICE (Single)	EARLY BOOKING*
Grand Suite - Victor Hugo Deck	\$14,999	\$13,999	-	-
Suite - Victor Hugo Deck	\$12,999	\$11,999	-	-
Deluxe French Balcony - Victor Hugo Deck	\$11,999	\$10,999	-	-
French Balcony - Balzac Deck	\$10,599	\$9,599	\$11,998	\$10,998
Classic - Jules Verne Deck	\$8,599	\$7,599	\$11,298	\$10,298

*\$399 per person taxes and fees are additional.

ADDITIONAL INFORMATION

Guests who book a suite aboard SS *Joie de Vivre* will receive a suite at either the Château D'Audrieu or Château La Chenevière. Guests booking in the French Balcony category may have the option to upgrade to a suite at their château if desired, for an additional fee. All other levels of accommodation will receive Standard/Classic or Deluxe rooms as assigned by the château.

Single accommodations are available in limited quantities in the French Balcony and Classic Stateroom categories only. Pricing and itinerary subject to change. Airfare is not included in the prices listed.

BOOK ONLINE NOW. ONLY 1 DEPARTURE OFFERED PER YEAR!

Simply scan the code with your smartphone camera or visit ww2museumtours.org.



THE NATIONAL WWII MUSEUM

EDUCATIONAL TRAVEL PROGRAM

5 MUSEUM QUICK FACTS

9 million+
visitors since the Museum opened on June 6, 2000

\$2 billion+
in economic impact

150,000+
active Museum members

8,000+
travelers, representing every US state

625,000+
social media followers



TRAVEL WITH EXPERTS

26
top historians with

174
published books and

47
documentary credits



TRAVEL TO **27** COUNTRIES

COVERING ALL THEATERS
OF WORLD WAR II



30

TOUR PROGRAMS
operated on average per year,
AT TIMES ACCOMPANIED BY
WWII VETERANS



VISIT **16**

OVERSEAS AMERICAN BATTLE
MONUMENTS COMMISSION
CEMETERIES & MEMORIALS PLUS

& 189

MUSEUMS ON OUR ITINERARIES

WWII

THE NATIONAL
WWII MUSEUM
TRAVEL

WHY TRAVEL WITH THE NATIONAL WWII MUSEUM?

- :: Visit up to 27 countries covering all theaters of World War II
- :: Travel with the authority on WWII educational travel
- :: Illuminating guides, best-selling authors, and the world's foremost experts in history on tour with you
- :: Exclusive access to Museum artifacts and oral history collection
- :: 16 overseas American Battle Monuments Commission cemeteries and memorials plus 189 museums on our itineraries
- :: Effortless travel and personal attention

PROGRAM INCLUSIONS

- :: Full-time logistical tour managers
- :: Entrance fees to all sites, museums, and attractions
- :: Four-nights accommodation in Normandy at the hand-selected 5-star Château D'Audrieu or Château La Chenevière
- :: Private first-class, air-conditioned motorcoach transportation
- :: Four-nights accommodation aboard the 5-star SS *Joie de Vivre* on the Seine River
- :: Personal listening devices for touring
- :: Airport transfers when arriving and departing on scheduled program dates
- :: Most meals, including: breakfast each day, 4 lunches, 8 dinners, 8 receptions
- :: Informative map book including useful battlefield maps and archival images to be used throughout your journey
- :: House wines, beer, and spirits with included lunches and dinners during land program and throughout the cruise
- :: Personalized luggage tags and customized name badge
- :: All gratuities to drivers, guides, and shipboard staff



PHOTO: TOUR GROUP AT PEGASUS BRIDGE ON AN EXCLUSIVE NORMANDY TOUR.



The National WWII Museum Travel
945 Magazine Street
New Orleans, LA 70130

NONPROFIT
AJTO
U.S. POSTAGE
PAID
NEW ORLEANS, LA
PERMIT NO. 2748

BOOKING EARLY HAS ITS REWARDS.

SAVE \$2,000 per couple when booked by December 31, 2024.

See *inside* for details.

PHOTO: LILIANE BERT, A FRENCH FILM ACTRESS, SHOWS HER JOY AT HOTEL DE VILLE, LIBERATION OF PARIS, 1944. COURTESY OF SERGE DE SAZO, GAMMA-RAPHO COLLECTION, GETTY IMAGES.